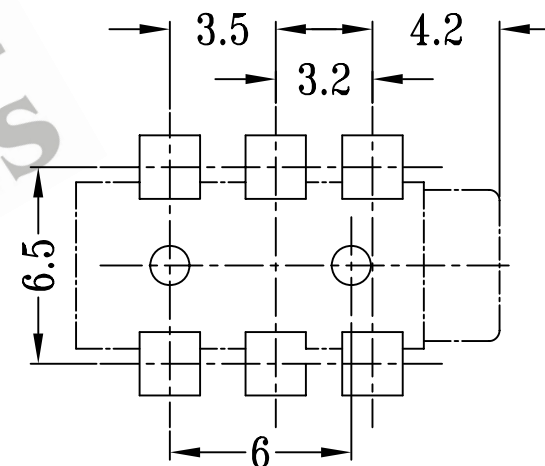
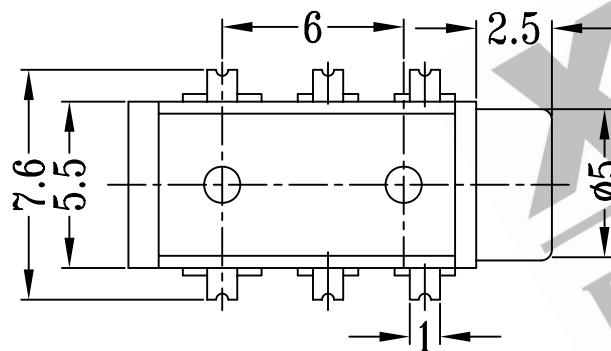
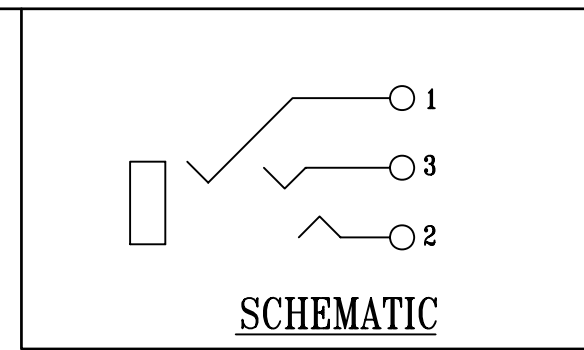
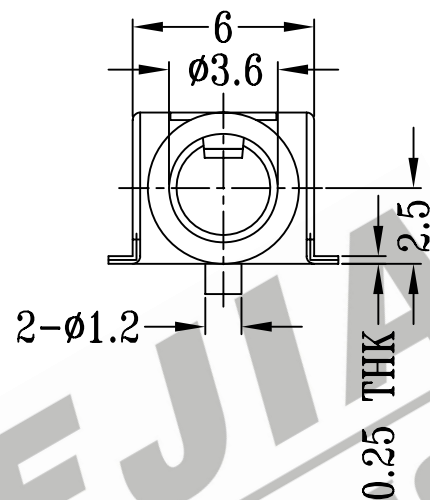
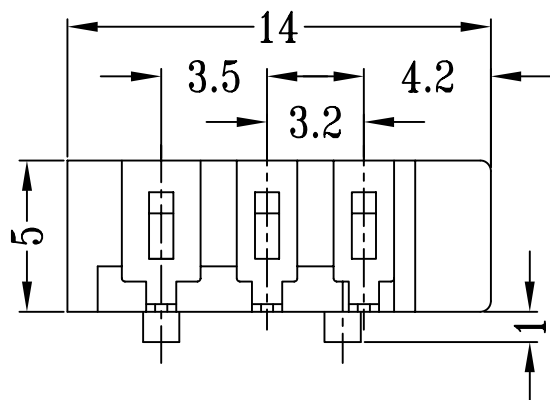


CAD FILE :



**P.C.B LAYOUT**

8					TOLERANCE UNLESS SPECIFIED	SHENZHEN XIEJIA ELECTRONICS CO.,LTD.						
7												
6					WITHIN: 1.5±0.1mm OVER: 1.5±0.2mm	ISSUE	DATE	DESCRIPTIONS OF REVISION		APPD		
5												
4					TITLE: PHONE JACK				UNIT : mm	DRWG NO : XJ-DR-ST019-00		
3	TERMINAL A	STAINLESS STEEL STRIP	2	Ag PLATED OVER Ni PLATED					MODEL: ST-019			
2	TERMINAL B	PBS STRIP	1	Ag PLATED OVER Ni PLATED	ALL MATERIALS MUST BE COMPLIANT TO ROHS							
1	CASE	NYLON+94V0+F.G	1	BLACK/YELLOW					APPD.			
NO.	PARTS	MATERIALS	QTY.	FINISH								